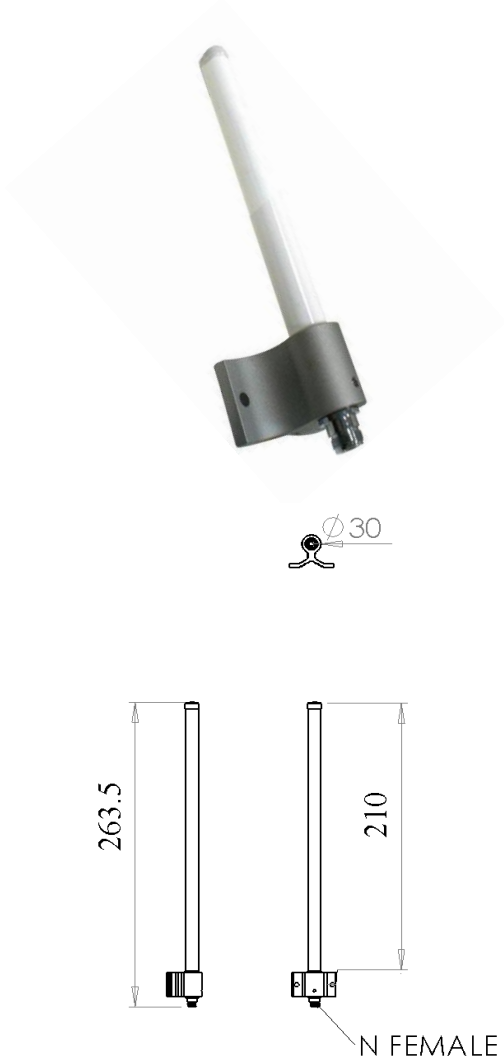


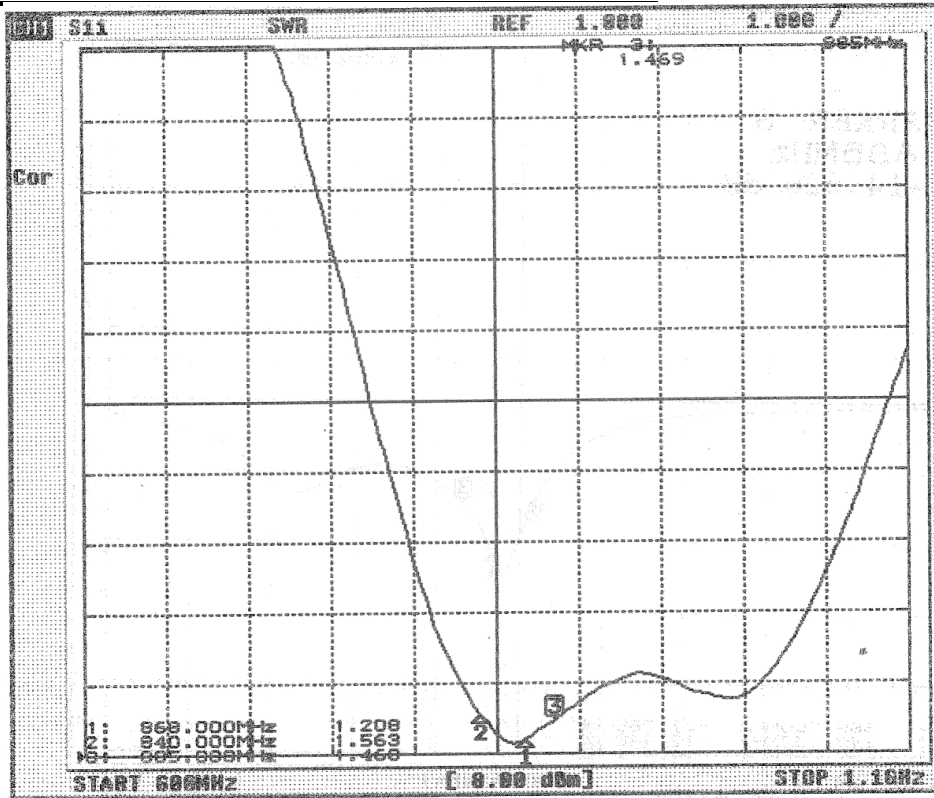
Model: OD840885M2-NM OMNI ANTENNA

Electrical Specifications:	
Frequency Range	840-885MHz
VSWR	≤ 2.0
Gain	2dBi
Impedance	50Ω±5Ω
Polarization	Vertical
Beamwidth	NA
H-PLANE	360°
E-PLANE	65°
Max. Power	10 Watt
Isolation	NA

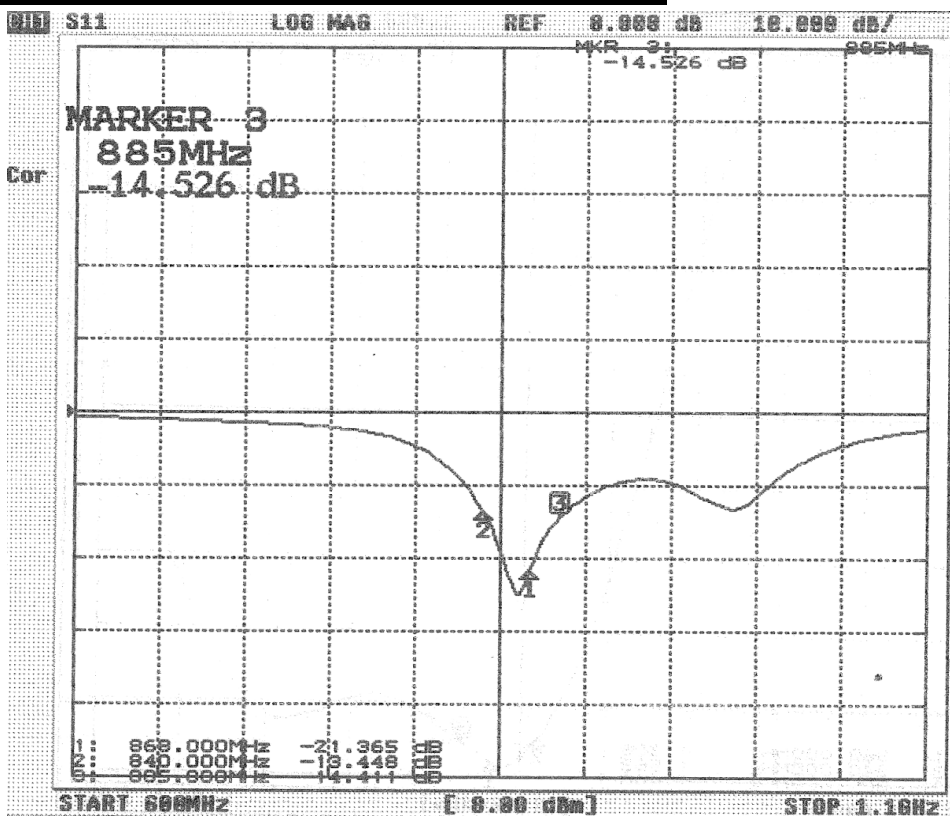
Mechanical Specifications:	
Connector	N FEMALE
Cable	NA
Operation Temp.	-30 ~ +60
Material-Radome	Radome: Fiberglass Base: Aluminum Alloy
Dimension (L*W*H)	Ø30*263.5mm ± 2mm
Weight	220g ± 5g
RoHS compliant	Yes



VSWR



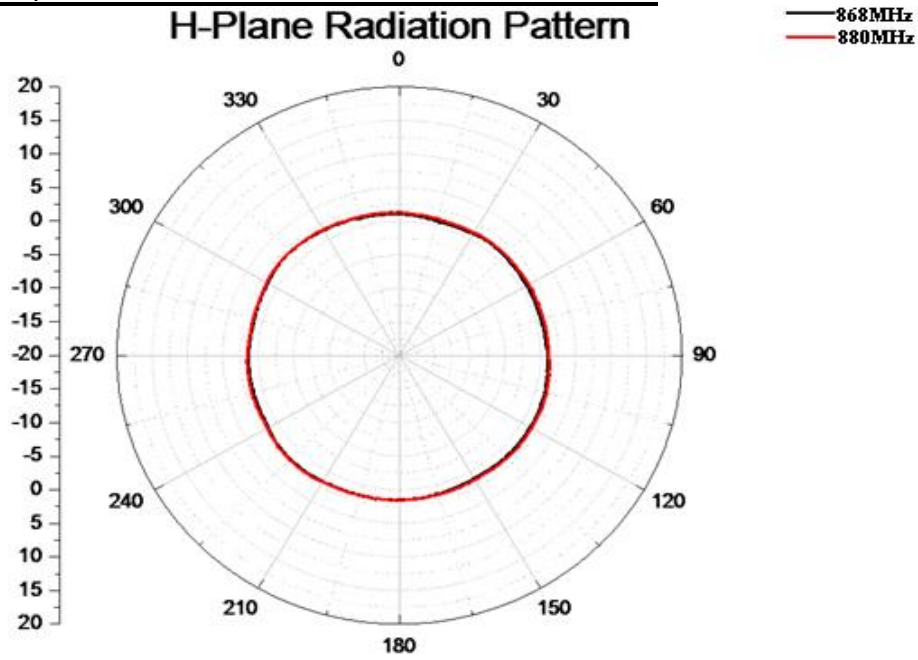
S11



Radiation Pattern

H plane

H-Plane Radiation Pattern



E-Plane

V-Plane Radiation Pattern

